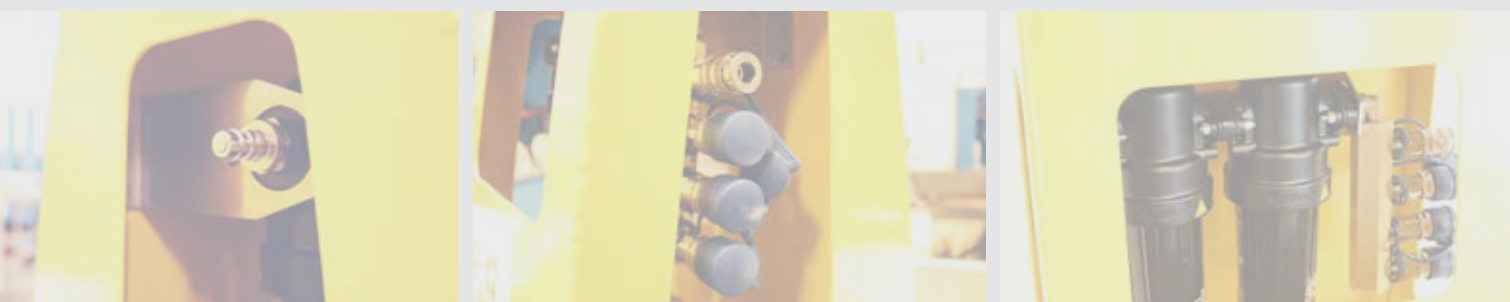


PUST 4 mk2

Filter unit for breathing air

- Removes particles, aerosols, odor, and taste when using compressed air as breathing air
- Air outlet for up to 4 users simultaneously
- Delivered as a wall-mounted cabinet or a floor-standing box/stool
- Replaceable filters
- Available with an integrated warmer to regulate the temperature of the breathing air.



Technical Data

- Pust 4 mk2 is used as the last barrier to protect the user against contamination, particles, odor, and taste in breathing air.
- Pust 4 mk2 is installed BETWEEN the compressed air system with approved breathing air according to NS-EN 12021, and the user's breathing air hose (ref. collaboration for safety).
- Filter housing designed for optimal flow provides low pressure drop and saves energy.
- Bayonet connection between the filter housing and top makes it easy to change filters.
- The filter cannot be opened under pressure thanks to the bayonet connection.

The breathing air is filtered through 2 stages:

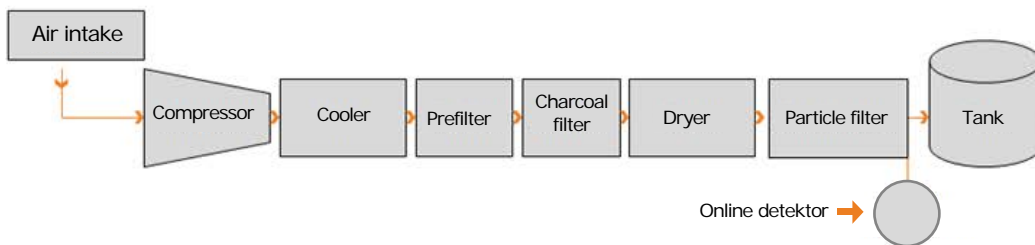


S-filter: charcoal/particle filter
Differential pressure: 0.13 bar
Oil content (aerosols): <math><0.01 \text{ mg/m}^3</math>

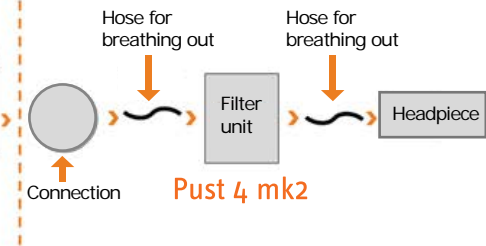


A-filter: active carbon filter
Differential pressure: 0.13 bar
Oil content (total): 0.003 mg/m³

Compressed Air System



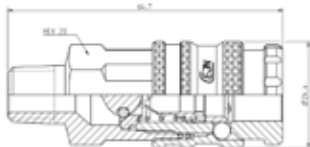
Distribution



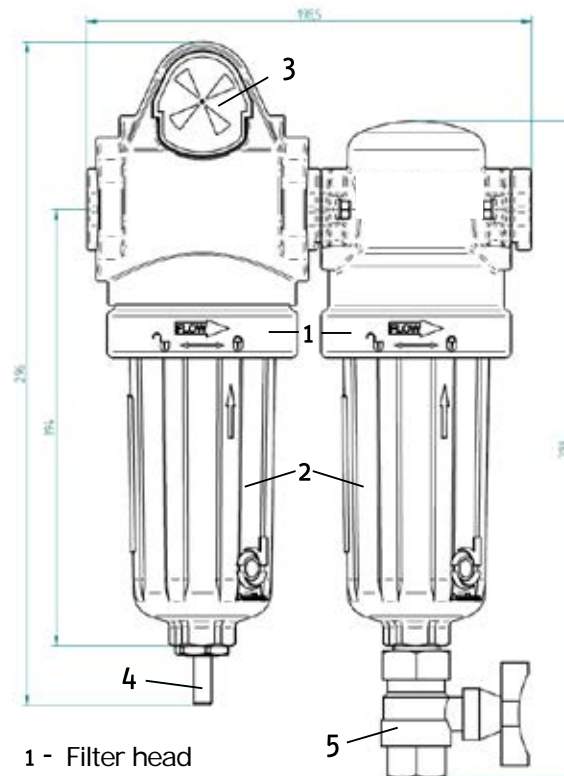
Air Outlet (4 pcs):

Single-hand couplings with a safety feature that prevents the hose from detaching during use.

Capacity: 1920 l/min
Max working pressure: 35 bar
Material: nickel-plated brass
Connection: R 1/4"
Length: 64.7 mm Diameter: 24.4 mm



Filter Stages Construction:



- 1 - Filter head
- 2 - Lower housing bowl
- 3 - Econometer
- 4 - Internal automatic drain UFM-P (Step 1)
- 5 - Manual drain with ball valve (Step 2)

Specifications:

Manufacturer: SG Safety AS
Weight: 7.2 kg

Size:
Length: 36 cm
Width: 30 cm
Height: 41 cm

Materials:
Box: lacquered aluminum
Filter housing: cast aluminum
Econometer: polymer
Float drain: polymer/aluminum
Seals: Viton
Filter: Particle filter and charcoal filter
Flow: 70 m³/h
Number of users: Up to 4 simultaneously.
Max. working pressure: 16 bar

The filter unit has approved performance according to the following requirements:
ISO 12500-1
ISO 12500-3

Delivers air quality according to:
ISO 8573-1